

Actual size -
shown with °C scale



Small Thermostat KT 011

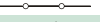
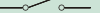

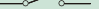
- *Compact design*
- *Wide adjustment range*
- *Available with °F or °C scale*
- *Color coded temperature dials*
- *DIN rail mountable*

Thermostat “NC” (normally closed):
Thermostat opens at temperature rise.
Comes with a **red** temperature dial.

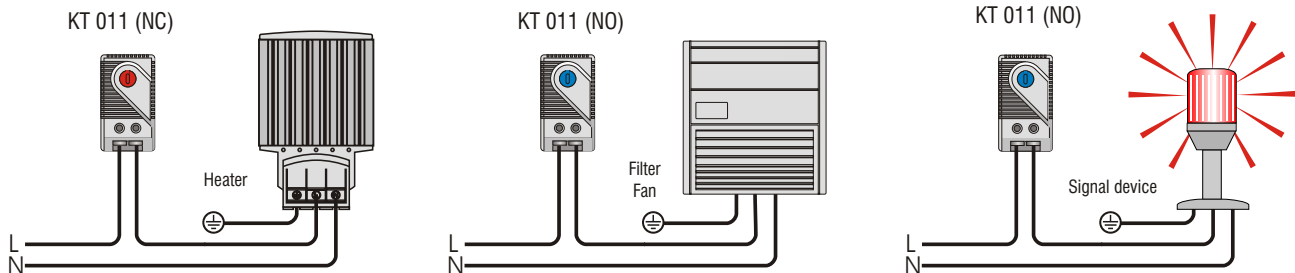
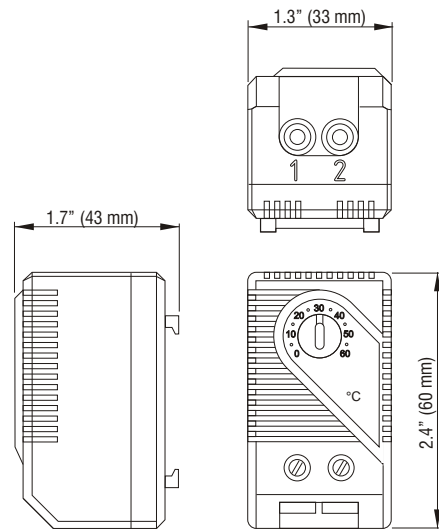
Thermostat “NO” (normally open):
Thermostat closes at temperature rise.
Comes with a **blue** temperature dial.



Technical Data KT 011

Part No.	Contact type	Scale on housing
01140.9-00	normally closed 	30 - 140°F
01141.9-00	normally open 	30 - 140°F
01146.9-00	normally closed 	0 - 60°C
01147.9-00	normally open 	0 - 60°C

Sensor element:	Thermostatic bi-metal
Maximum tolerance:	±7.2°F (4K)
Switching difference (hysteresis):	12.6°F ± 5.4°F (7°C ± 3K)
Service life:	100,000 cycles
Switching capacity (max. load):	15A resistive/2A inductive @ 120 VAC 10A resistive/2A inductive @ 250 VAC DC 30W
Minimum load:	20 mA (all voltages)
EM/EMC compliance:	EN 55014-1-2, EN 61000-3-2, EN 61000-3-3
Connections:	2-pole terminal for AWG 14 max. (2.5 mm ²)
Mounting:	Clip for 35 mm DIN rail (EN 50022)
Dimensions (H x W x D):	2.4 x 1.3 x 1.7" (60 x 33 x 43 mm)
Housing:	Plastic, UL94V-0
Weight:	1.4 oz (40 g)
Protection type:	IP 20
Operating temperature:	-4 to 176°F (-20 to 80°C)
Storage temperature:	-49 to 176°F (-45 to 80°C)
Agency approvals:	UL, CSA



Wiring examples

Specifications are subject to change without notice. Suitability of this product for its intended use and any associated risks must be determined by the end customer/buyer in its final application.