

B Series AC Contactor

1. Application

B series AC Contactors are mainly used in 50/60Hz electrical lines of the rated voltage up to 660V AC and rated current up to 370A, are applicable for remote making and breaking of electrical lines or frequent control of AC motors, having no-voltage protection. Usually, it can be combined with JR29 series thermal relay to form electromagnetic starters which have overload and open-phase protection. It complies with IEC947-4-1.

2. Specification



B9



B12



B170



B370



TPD40

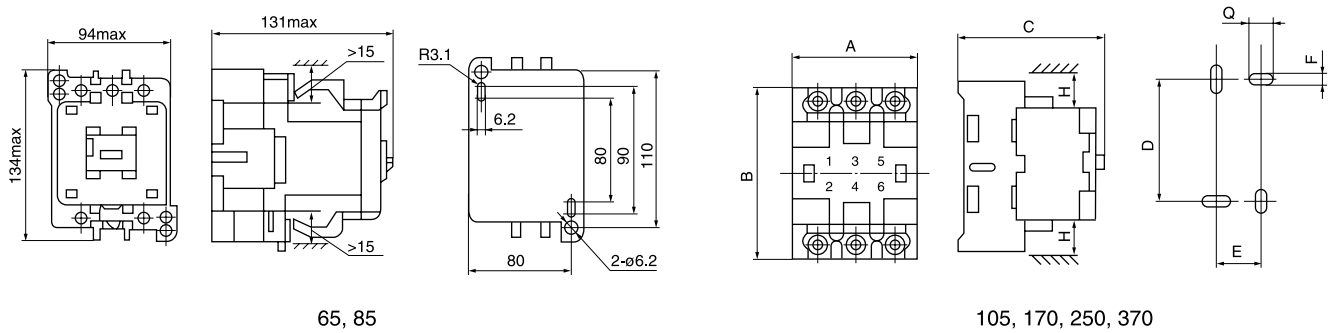
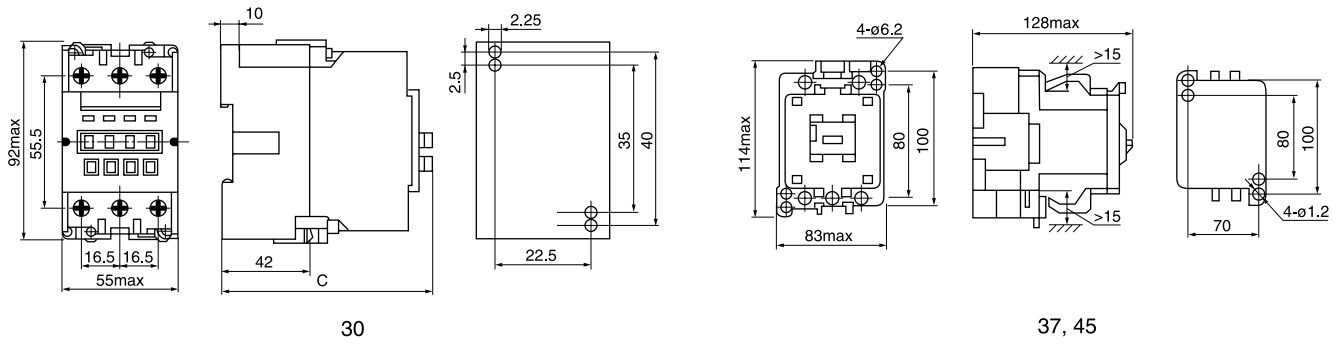
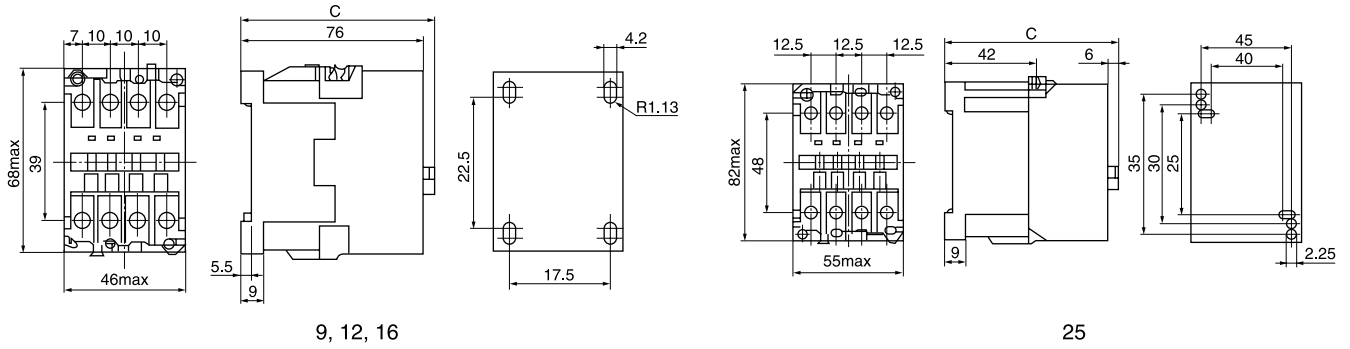
Type		B9	B12	B16	B25	B30	B37	B45
The highest control power (kw)	220V	2.2	3	4	6.5	9	10	13
	380V	4	5.5	7.5	11	15	18.5	22
	500V	4	5.5	7.5	11	15	18.5	22
	660V	4	5.5	5.5	11	15	18.5	22
Rated heating current Ith (A)		16	20	25	40	45	45	60
Rated working current AC2/AC3/AC4	380V	8.5	11.5	15.5	22	30	37	44
	660V	3.5	4.9	6.7	13	17.5	21	25
Rated holding power of a holding coil/pull-in (VA/W)		9/2.2 60/50	9/2.2 60/50	9/2.2 60/50	10/3 85/65	10/3 85/65	22/5 175/25	22/5 125

Type		B65	B85	B105	B170	B250	B370
The highest control power (kw)	220V	16	20	28	46	60	32
	380V	33	45	55	90	132	200
	500V	40	50	7	110	160	250
	660V	40	50	75	110	160	250
Rated heating current Ith (A)		80	100	140	230	300	400
Rated working current AC2/AC3/AC4	380V	65	85	105	170	245	370
	660V	45	55	82	118	170	268
Rated holding power of a holding coil/pull-in (VA/W)		30/8 270/130	30/8 270/130	32/9 510/280	60/15 790/460	66/16 1100/600	100/27 900/350

CA7	CA9-11 CA9-20	CA11-11 CA-20
B9,B12,B16,B25,B30,37	B45,B65,B85,B105	B170,B250,B370

TP Type pneumatic timer delaying the operation of next stage of a control loop			
Start delay	TPD40 0.3~40s		Relief delay
	TPD180 10~180s		
			TP140 0.3~40s TP1180 10~180s

3. Outline and Mounting Dimension



Type	A max	B max	C max	D max	E	F	G	H
B105	118	154	137	140±0.35	35±0.15	Ø6.5	Ø6.5	≥ 15
B170	134	165	152	150±0.35	40±0.15	7.5	7.5	≤ 15
B250	167	207	193	190±0.45	50±0.17	5.5	8.5	≥ 15
B370	202	252	221	220±0.52	60±0.20	6.5	8.5	≤ 15